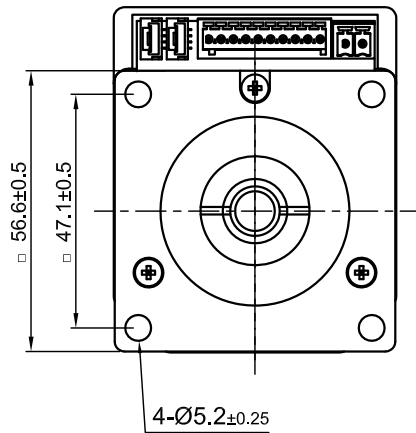
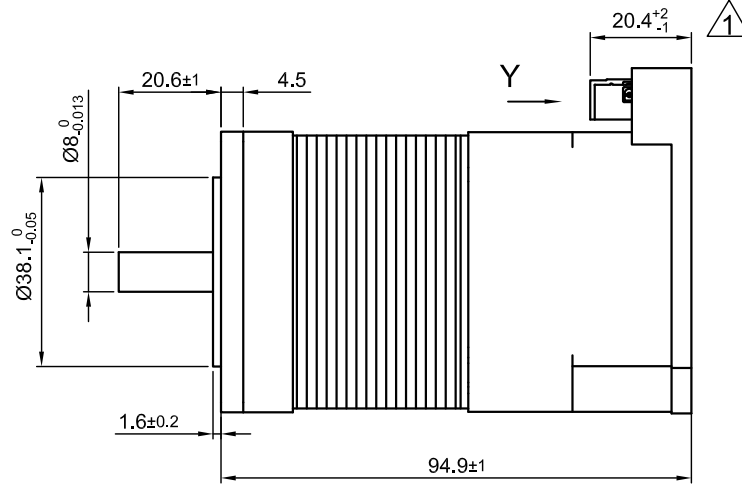


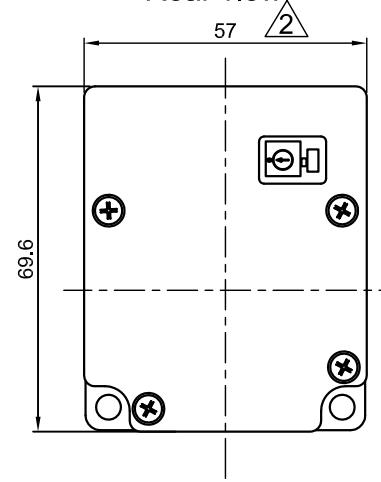
Front view and mounting



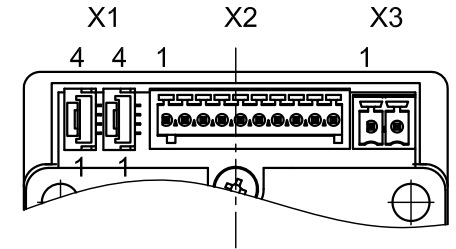
Side view



Rear view

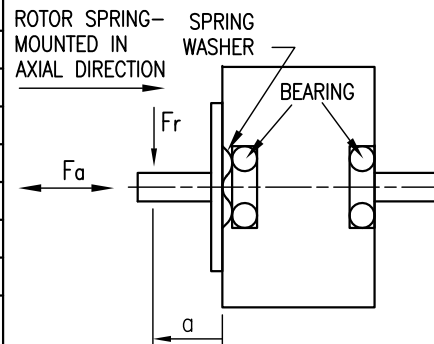


Y view



SPECIFICATION	CONNECTION	STAR
NO. OF POL./PHASE		6/3
VOLTAGE RATED (VDC)		24
CURRENT RATED/PEAK (A)		8/20
TORQUE RATED/PEAK (Nm)		0.37/0.92
TORQUE CONSTANT (Nm/A)		0.046
BACK EMF(Vrms/Krpm)		3.8
POWER RATED (W)		135
SPEED RATED/NO LOAD (RPM)		3500±10%/4000±10%
WEIGHT (Kg)		0.87

PERMISSIBLE RADIAL+AXIAL FORCE



OVERTEMPERATURE PROTECTION (ELECTRONICS): 75°C	
AMBIENT TEMPERATURE -10°~ 50°C [14°F ~ 122°F] (HIGHER TEMPERATURE REDUCES DUTY CYCLE)	
INSULATION RESISTANCE 100 MΩm (UNDER NORMAL TEMPERATURE AND HUMIDITY)	
INSULATION CLASS B 130° [266°F]	
DIELECTRIC STRENGTH 500VAC FOR 1 MIN. (BETWEEN THE MOTOR COILS AND THE MOTOR CASE)	
AMBIENT HUMIDITY MAX. 85% (NO CONDENSATION)	

AXIAL-FORCE Fa (N)	15	
DISTANCE a (mm)	20	
RADIAL-FORCE Fr (N)	75	
	AXIAL	RADIAL
SHAFT PLAY (mm)	-0.1Max	0.025
AT LOAD MAX: (N)	40	4.6

X1, JST GH-4	
PIN No.	Function
1	+UB_LOGIC(24V)
2	CAN+
3	CAN-
4	GND

X2, Phoenix MCV-10	
PIN No.	Function
1	GND
2	Analog input (0-10V)
3	+12V (Voltage Output, max.100mA)
4	Output1 (open drain)
5	Output2 (open drain)
6	Input1 (+5/+24V)
7	Input2 (+5/+24V)
8	Input3 (+5/+24V)
9	Input4 (+5/+24V)
10	GND

X3, Phoenix FMC-02	
PIN No.	Function
1	+VCC(12-24V)
2	GND

03	NEW NO LOAD SPEED	30.11.18	GYQ
02	REWORK DRAW/UPDATE DATA	19.07.16	GYQ
01	TOLERANCE OF CONNECTOR LENGTH	28.01.14	GYQ
REV	DESCRIPTION	DATE	DRN

**Nanotec**<sup>®</sup>  
PLUG & DRIVE

Surface specification DIN ISO 1302	General tolerances DIN ISO 2768-cH	Work piece edge DIN ISO 13715
---------------------------------------	---------------------------------------	----------------------------------

APVD	G.M.	15.01.14
CHKD		
DRN	GYQ	15.01.14
SIGNATURE	DATE	

**PLUG&DRIVE MOTOR**

DWG.NO  
PD4-CB59M024035-E-08